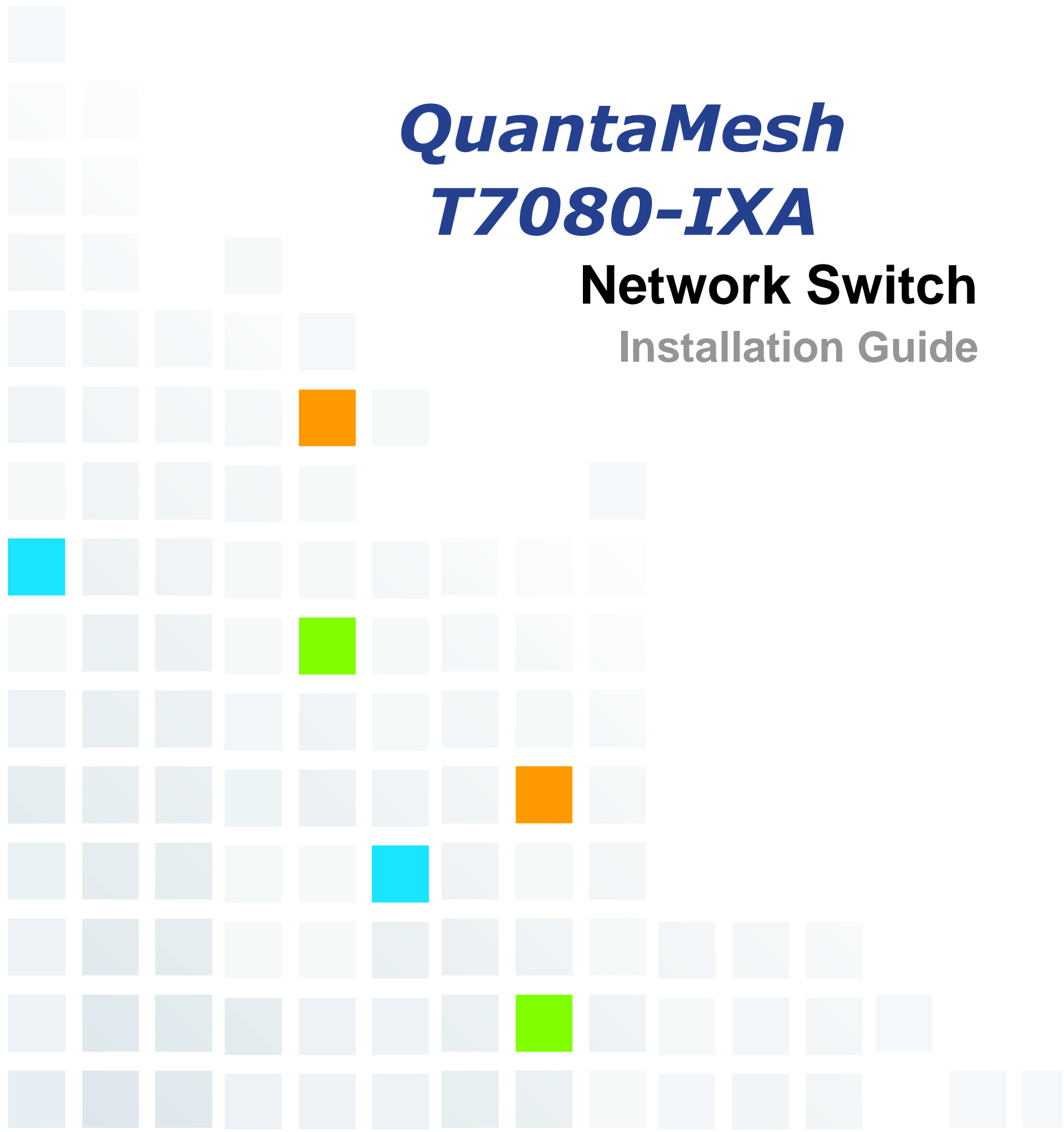




QuantaMesh ***T7080-IXA***

Network Switch

Installation Guide



SAFETY & REGULATORY INFORMATION

Copyright

All specifications and figures are subject to change without prior notice. Actual products may look different from the photos.

All trademarks and logos mentioned in this guide are the properties of their respective holders.

Copyright © 2019 Quanta Computer Inc. All rights reserved.

About the Manual

This installation guide is meant for network administrators with inept knowledge in network management.

To avoid personal injury or property damage, before you begin installing the product, read, observe, and adhere to all the following safety instructions and information.

The following symbols are used throughout the guide to highlight important information and may be marked on the product and / or the product packaging.



NOTE

Indicates useful information.



WARNING

Indicates safety information that if ignored may cause the system to malfunction or damage other equipment.



CAUTION

Indicates safety information that if ignored may cause personal injury or death.

Intended Application Uses

This product was evaluated as Information Technology Equipment (ITE). which may be installed in offices, schools, computer rooms, and similar commercial type locations. The suitability of this product for other product categories and environments (such as medical, industrial, residential, alarm systems, and test equipment), other than an ITE application, may require further evaluation.

Safety Information

Switch Safety Information

To reduce the risk of body injury, electrical shock, fire, and equipment damage, read this document and observe all warnings and precautions before installing or maintaining your switch.

In the event of a conflict between the information in this document and the information provided with the product or on the website of a particular product, the product documentation takes precedence.

The switch should be integrated and serviced only by technically qualified persons.

You must adhere to the guidelines in this guide and the assembly instructions in the switch manuals to ensure and maintain compliance with existing product certifications and approvals. Use only the described, regulated components specified in this guide. Use of other products / components will void the UL Listing and other regulatory approvals of the product, and may result in noncompliance with product regulations in the region(s) in which the product is sold.

SAFETY & REGULATORY INFORMATION

Follow the safety guidelines below to ensure personal safety and protect the system and the working environment from potential damage.



CAUTION

- The power supplies in the system may produce high voltages and energy hazards which can cause bodily harm. Do not remove the covers and access any of the components inside the system.
- To reduce the risk of electrical shock, disconnect all power supply cables before servicing the system.
- Do not use the mounted equipment as a shelf or a work space.
- **Restricted Access Location:** The switch is intended for installation only in a Server Room or Computer Room where both these conditions apply:
 - √ access can only be gained by SERVICE PERSONS or by USERS who have been instructed about the reasons for the restrictions applied to the location and about any precautions that shall be taken; and
 - √ access is through the use of a TOOL or lock and key, or other means of security, and is controlled by the authority responsible for the location.



WARNING

When a power supply needs replacement, replace the power supply only with the same or equivalent type recommended by the manufacturer. Replacing with an incorrect power supply may cause explosion.

- Observe and follow service markings. Do not service the product yourself. Components inside the system should only be serviced by trained service technician.
- If any of the following conditions occur, unplug the equipment from the electrical outlet and replace the part or contact a trained service technician:
 - √ The power cable, extension cable, or plug is damaged
 - √ The equipment has been exposed to water
 - √ The equipment has been dropped or damaged
 - √ The equipment does not operate correctly when you follow the operating instructions
- Do not spill food or liquid on the equipment.
- Never operate the equipment in a wet environment.
- Do not push any objects into the opening of the equipment. Doing so may short internal components and cause fire or electric shock.
- Use the system only with approved equipment.
- Allow the product to cool before removing any peripherals.
- Operate the equipment only from the type of external power source indicated on the electrical ratings label. If you are unsure of the type of power source required, consult your local power company.
- Use only approved power cable(s).
- To help prevent electric shock, plug the system and peripheral power cables into properly grounded electrical outlets. Do not use adapter plugs or remove the grounding prong from a cable. If you must use an extension cable, use an extension cable with properly grounded plugs.
- Observe and follow service markings. Do not service the product yourself. Components inside the system should only be serviced by trained service technician.
- If any of the following conditions occur, unplug the equipment from the electrical outlet and replace the part or contact a trained service technician:

SAFETY & REGULATORY INFORMATION

- √ The power cable, extension cable, or plug is damaged
- √ The equipment has been exposed to water
- √ The equipment has been dropped or damaged
- √ The equipment does not operate correctly when you follow the operating instructions
- Do not spill food or liquid on the equipment.
- Never operate the equipment in a wet environment.
- Do not push any objects into the opening of the equipment. Doing so may short internal components and cause fire or electric shock.
- Use the system only with approved equipment.
- Allow the product to cool before removing any peripherals.
- Operate the equipment only from the type of external power source indicated on the electrical ratings label. If you are unsure of the type of power source required, consult your local power company.
- Use only approved power cable(s).
- To help prevent electric shock, plug the system and peripheral power cables into properly grounded electrical outlets. Do not use adapter plugs or remove the grounding prong from a cable. If you must use an extension cable, use an extension cable with properly grounded plugs.
- Observe extension cable and power strip ratings. Ensure that the total ampere rating of all products plugged into the extension cable or power strip does not exceed 80% of the ampere ratings limit for the extension cable or power strip.
- To protect the equipment from sudden, transient increase or decrease in electrical power, use a surge suppressor, line conditioner, or uninterruptible power supply (UPS).
- Do not modify power cables or plugs. Consult a licensed electrician or your power company for site modifications. Always follow your local/national wiring rules.
- To avoid possible damage to the system board, wait 5 seconds after turning off the system before removing a component from the system board or disconnecting a peripheral device.
- When connecting or disconnecting power to the hot-pluggable power supply units, observe the following guidelines:
 - √ Unplug the power cable before removing the power supply.
 - √ Install the power supply to the system before connecting the power cable to the power supply.
 - √ If the system has multiple sources of power, disconnect power from the system by unplugging all power cables from the power supplies.
- When disconnecting a cable, pull on its connector or on its strain-relief loop, and not on the cable itself.

Installation Assembly Safety Instructions

- The power supply in this product contains no user-serviceable parts. Refer servicing only to qualified personnel.
- Do not attempt to modify or use the supplied AC power cord if it is not the exact type required. A product with more than one power supply will have a separate AC power cord for each supply.
- To remove the AC power from the system, you must unplug each AC power cord from the wall outlet or power supply. The power cord(s) is considered the disconnect device to the main (AC) power. The socket outlet that the system plugs into shall be installed near the equipment and shall be easily accessible.
- A microprocessor and heat sink may be hot if the system has been running. Also, there may be sharp pins and edges on some board and chassis parts. Contact should be made with care. Consider wearing protective gloves.
- Danger of explosion if the battery is incorrectly replaced. Replace only with the same or equivalent type recommended by the equipment manufacturer. Dispose of used batteries according to manufacturer's instructions.
- The system is safety certified as rack-mounted equipment for use in a server room or computer room, using the customer rack kit. The rail racks are designed to carry only the weight of the system. Do not place additional load onto any rail-mounted equipment. System rack kits are intended to be installed in a rack by trained service technicians.

Site Selection

The system is designed to operate in a typical office environment. Choose a site that is:

- Clean and free of airborne particles (other than normal room dust).
- Well ventilated and away from sources of heat including direct sunlight and radiators.
- Away from sources of vibration or physical shock.
- Isolated from strong electromagnetic fields produced by electrical devices.
- In regions that are susceptible to electrical storms, we recommend you plug your system into a surge suppressor and disconnect telecommunication lines to your modem during an electrical storm.
- Provided with a properly grounded wall outlet.
- Provided with sufficient space to access the power supply cord(s), because they serve as the product's main power disconnect.
- Provided with either two independent AC power sources or two independent phases from a single source.

Equipment Handling Practices

Reduce the risk of personal injury or equipment damage:

- Conform to local occupational health and safety requirements when moving and lifting equipment.
- Use mechanical assistance or other suitable assistance when moving and lifting the equipment.
- To reduce the weight for easier handling, remove any easily detachable components.

Power and Electrical Warnings



CAUTION

SAFETY & REGULATORY INFORMATION

- The power is active whenever the system is plugged in. To remove power from the system, you must unplug the AC power cord from the wall outlet. Your system may use more than one AC power cord. Make sure all AC power cords are unplugged. Make sure the AC power cord(s) is/are unplugged before you open the chassis, or add or remove any non hot-plug components.
- Do not attempt to modify or use an AC power cord if it is not the exact type required. A separate AC cord is required for each system power supply.
- The power supply in this product contains no user-serviceable parts. Do not open the power supply. Hazardous voltage, current and energy levels are present inside the power supply. Return to manufacturer for servicing.
- When replacing a hot-plug power supply, unplug the power cord to the power supply being replaced before removing it from the switch.

Power Cord Warnings

If an AC power cord was not provided with your product, purchase one that is approved for use in your country.



CAUTION

- To avoid electrical shock or fire, check the power cord(s) that will be used with the product as follows:
 - √ access can only be gained by SERVICE PERSONS or by USERS who have been instructed about the reasons for the restrictions applied to the location and about any precautions that shall be taken; and
 - √ access is through the use of a TOOL or lock and key, or other means of security, and is controlled by the authority responsible for the location.
- The power cord must have safety ground pin or contact that is suitable for the electrical outlet.
- The power supply cord(s) is/are the main disconnect device to AC power. The socket outlet(s) must be near the equipment and readily accessible for disconnection.
- The power supply cord(s) must be plugged into socket outlet(s) that is/are provided with a suitable earth ground.

System Access Warnings



CAUTION

- To avoid personal injury or property damage, the following safety instructions apply whenever accessing the inside of the product:
 - √ Turn off all peripheral devices connected to this product.
 - √ Disconnect the AC power by unplugging all AC power cords from the system or wall outlet.
 - √ Disconnect all cables and telecommunication lines that are connected to the system.
 - √ Retain all screws or other fasteners when removing access cover(s). Upon completion of accessing inside the product, refasten access cover with original screws or fasteners.
 - √ Do not access the inside of the power supply. There are no serviceable parts in the power supply. Return to the manufacturer for servicing.
 - √ Power down the switch and disconnect all power cords before adding or replacing any non hot-plug component.
 - √ When replacing a hot-plug power supply, unplug the power cord to the power supply being replaced before removing the power supply from the switch.
- Unless you are adding or removing a hot-plug component, allow the system to cool before opening the covers. To avoid the possibility of coming into contact with hot component(s) during a hot-plug installation, be careful when removing or installing the hot-plug component(s).
- To avoid injury do not contact moving fan blades. If your system is supplied with a guard over the fan, do not operate the system without the fan guard in place.

Rack Mount Warnings

The following installation guidelines are required by UL for maintaining safety compliance when installing your into a rack.

- The equipment rack must be anchored to an unmovable support to prevent it from tipping when a server or piece of equipment is extended from it. The equipment rack must be installed according to the rack manufacturer's instructions.
- Install equipment in the rack from the bottom up, with the heaviest equipment at the bottom of the rack.
- Extend only one piece of equipment from the rack at a time.
- You are responsible for installing a main power disconnect for the entire rack unit. This main disconnect must be readily accessible, and it must be labeled as controlling power to the entire unit, not just to the server(s).
- To avoid risk of potential electric shock, a proper safety ground must be implemented for the rack and each piece of equipment installed in it.
- Elevated Operating Ambient - If installed in a closed or multi-unit rack assembly, the operating ambient temperature of the rack environment may be greater than the room ambient. Therefore, consideration should be given to installing the equipment in an environment compatible with the maximum ambient temperature (T_{ma}) specified by the manufacturer.
- Reduced Air Flow - Installation of the equipment in a rack should be such that the amount of air flow required for safe operation of the equipment is not compromised.
- Mechanical Loading - Mounting of the equipment in the rack should be such that a hazardous condition is not achieved due to uneven mechanical loading.

SAFETY & REGULATORY INFORMATION

- Circuit Overloading - Consideration should be given to the connection of the equipment to the supply circuit and the effect that overloading of the circuits might have on overcurrent protection and supply wiring. Appropriate consideration of equipment nameplate ratings should be used when addressing this concern.
- Reliable Earthing - Reliable earthing of rack-mounted equipment should be maintained.
- Particular attention should be given to supply connections other than direct connections to the branch circuit (e.g. use of power strips).

Other Hazards

Battery Replacement



CAUTION

- There is the danger of explosion if the battery is incorrectly replaced. When replacing the battery, use only the battery recommended by the equipment manufacturer.
- Dispose of batteries according to local ordinances and regulations.
- Do not attempt to recharge a battery.
- Do not attempt to disassemble, puncture, or otherwise damage a battery.

Cooling and Airflow



CAUTION

- Carefully route cables as directed to minimize airflow blockage and cooling problems. For proper cooling and airflow, operate the system only with the chassis covers installed. Operating the system without the covers in place can damage system parts. To install the covers:
 - √ Check first to make sure you have not left loose tools or parts inside the system.
 - √ Check that cables, add-in cards, and other components are properly installed.
 - √ Attach the covers to the chassis according to the product instructions.

Laser Peripherals or Devices



CAUTION

- To avoid risk of radiation exposure and/or personal injury:
 - √ Do not open the enclosure of any laser peripheral or device.
 - √ Laser peripherals or devices are not serviceable.
 - √ Return to the manufacturer for servicing.
 - √ Use certified Optical Fiber Transceiver Class 1 Laser Product.

Regulatory and Compliance Information

Electromagnetic Compatibility Notices

FCC Verification Statement (USA) 1.5.1.1

This device complies with Part 15 of the FCC Rules. Operation is subject to the following two conditions: (1) this device may not cause harmful interference, and (2) this device

SAFETY & REGULATORY INFORMATION

may accept any interference received, including interference that may cause undesired operation.

This equipment has been tested and found to comply with the limits for a Class A digital device, pursuant to part 15 of the FCC Rules. These limits are designed to provide reasonable protection against harmful interference when the equipment is operated in a commercial environment. This equipment generates, uses, and can radiate radio frequency energy and, if not installed and used in accordance with the instruction manual, may cause harmful interference to radio communications. However, there is no guarantee that interference will not occur in a particular installation. If this equipment does cause harmful interference to radio or television reception, which can be determined by turning the equipment off and on, the user is encouraged to try to correct the interference by one or more of the following measures:

- Reorient or relocate the receiving antenna.
- Increase the separation between the equipment and the receiver.
- Connect the equipment to an outlet on a circuit other than the one to which the receiver is connected.
- Consult the dealer or an experienced radio/TV technician for help.

Any changes or modifications not expressly approved by the grantee of this device could void the user's authority to operate the equipment. The customer is responsible for ensuring the compliance of the modified product.

Only peripherals (computer input/output devices, terminals, printers, etc.) that comply with FCC Class A or B limits may be attached to this computer product. Operation with noncompliant peripherals is likely to result in interference to radio and TV reception.

All cables used to connect to peripherals must be shielded and grounded. Operation with cables, connected to peripherals, that are not shielded and grounded may result in interference to radio and TV reception.

Europe (CE Declaration of Conformity) 1.5.1.2

This product has been tested in accordance to, and complies with the Low Voltage Directive (73/23/EEC) and EMC Directive (89/336/EEC). The product has been marked with the CE Mark to illustrate its compliance.

VCCI (Japan)

この装置は、情報処理装置等電波障害自主規制協議会 (VCCI) の基準に基づくクラス A 情報技術装置です。この装置を家庭環境で使用すると電波妨害を引き起こすことがあります。この場合には使用者が適切な対策を講ずるように要求されることがあります。

English translation of the notice above:

This is a Class A product based on the standard of the Voluntary Control Council for Interference (VCCI) from Information Technology Equipment. If this is used near a radio or television receiver in a domestic environment, it may cause radio interference. Install and use the equipment according to the instruction manual.

CCC Statement

声明
此为 A 级产品，在生活环境中，该产品可能会造成无线电干扰
在这种情况下，可能需要用户对其干扰采取切实可行的措施

Regulated Specified Components

To maintain the UL listing and compliance to other regulatory certifications and/or declarations, the following regulated components must be used and conditions adhered

SAFETY & REGULATORY INFORMATION

to. Interchanging or use of other component will void the UL listing and other product certifications and approvals.

Updated product information for configurations can be found on the site at the following URL: <http://www.QuantaQCT.com>

If you do not have access to the Web address, please contact your local representative.

- Add-in cards: must have a printed wiring board flammability rating of minimum UL94V-1.
- Add-in cards containing external power connectors and/or lithium batteries must be UL recognized or UL listed. Any add-in card containing modem telecommunication circuitry must be UL listed. In addition, the modem must have the appropriate telecommunications, safety, and EMC approvals for the region in which it is sold.
- Peripheral Storage Devices: must be UL recognized or UL listed accessory and TUV and VDE licensed. Maximum power rating of any one device is 19 watts. Total server configuration is not to exceed the maximum loading conditions of the power supply.

Restriction of Hazardous Substances (RoHS) Compliance

Quanta® Computer Inc. has a system in place to restrict the use of banned substances in accordance with the European Directive 2002/95/EC. Compliance is based on declaration that materials banned in the RoHS Directive are either (1) below all applicable threshold limits or (2) an approved / pending RoHS exemption applies.

RoHS implementation details are not fully defined and may change.

Threshold limits and banned substances are noted below:

- Quantity limit of 0.1% by mass (1000 PPM) for:
 - √ Lead
 - √ Mercury
 - √ Hexavalent Chromium
 - √ Polybrominated Biphenyls Diphenyl Ethers (PBDE)
- Quantity limit of 0.01% by mass (100 PPM) for:
 - √ Cadmium

End of Life / Product Recycling

Product recycling and end-of-life take-back systems and requirements vary by country. Contact the retailer or distributor of this product for information about product recycling and/or take-back.

Product Regulatory Compliance Markings

This product is marked with the following product certification markings:





Regulatory Compliance	Region	Marking	
cULus Listing Marks	USA / Canada		
CE Mark	Europe		
FCC Marking (Class A)	USA	<p>This device complies with Part 15 of the FCC Rules. Operation of this device is subject to the following two conditions:</p> <p>(1) This device may not cause harmful interference, and</p> <p>(2) This device must accept any interference received, including interference that may cause undesired operation.</p>	
VCCI Marking (Class A)	Japan	<p>この装置は、情報処理装置等電波障害自主規制協議会 (VCCI) の基準に基づくクラス A 情報技術装置です。この装置を家庭環境で使用すると電波妨害を引き起こすことがあります。この場合には使用者が適切な対策を講ずるように要求されることがあります。</p>	
ICES	Canada	<p>This Class A digital apparatus complies with Canadian ICES-003.</p> <p>Cet appareil numérique de la classe A est conforme à la norme NMB-003 du Canada.</p>	
Recycling Package Mark	Other than China		
CCC	China		<p style="text-align: center;">声明</p> <p>此为 A 级产品，在生活环境中，该产品可能会造成无线电干扰。在这种情况下，可能需要用户对其干扰采取切实可行的措施。</p>

Table of Contents

SAFETY & REGULATORY INFORMATION	1
QuantaMesh T7000 Series.....	12
Chassis for the T7080-IXA Switch	12
LED Indicators of T7080-IXA	13
Ports of T7080-IXA.....	16
Data Port Connection.....	16
Fan Tray of T7080-IXA.....	18
Power Supply of T7080-IXA.....	18
Airflow Direction	19
Hardware Installation	20
Unpacking the Hardware	20
Package Contents	20
Installing the Switch	20
Site Survey	20
Positioning the Switch.....	21
Mounting the Switch into Ozeki Rack with BES-53248A1-ZRMK Rail Kit.....	21
Connecting to the Console Port.....	24
Connecting to the Management Port.....	25
Connecting the Power.....	26
AC Power Supply.....	26
Components Replacement.....	27
Troubleshooting	27
Diagnostic Switch Indicator	27
Power and Cooling Problems.....	27
Installation.....	27
In-Band Access.....	28
Replacing the Power Supply	28
Replacing the Fan Tray	29
Customer Support.....	29
Appendix.....	30
Manually Install Vendor OS	30

QuantaMesh T7000 Series

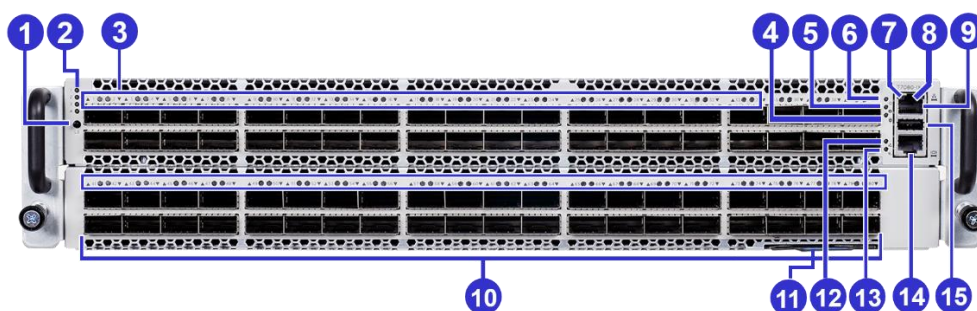
QuantaMesh T7080-IXA supports 80 QSFP28 (10/25/40/50/100GbE speed) ports and is equipped with BMC in a 2RU compact rack unit size. 7080-IXA, the QCT's first router, is purpose-built for highly reliable and scalable demanding carrier environment. It provides comprehensive routing features that advance carrier infrastructure solutions.

T7080-IXA is a high-performance and high-density Ethernet switch with advanced features such as smart table, dynamic load balancing, and VxLAN/RIOT support. T7080-IXA provides programmable capability which allows for future changes such as telemetry & analysis or network overlays & associated metadata. By leveraging the merchant silicon chip, T7080-IXA is rated at 4B PPS processing and includes a 16GB deep packet buffer with HBM. It enables zero-packet-loss in heavily congested networks and more efficient traffic management.

T7080-IXA provides higher density and lower power consumption in a smaller system than ever before. The 80 QSFP28 ports deployment in a 2RU form factor is the smallest design in the industry. With ONIE (Open Network Installation Environment) pre-loaded, the T7080-IXA can be used with multiple network operating system that supports ONIE installers to achieve agile installation and fast response as demands change.

Chassis for the T7080-IXA Switch

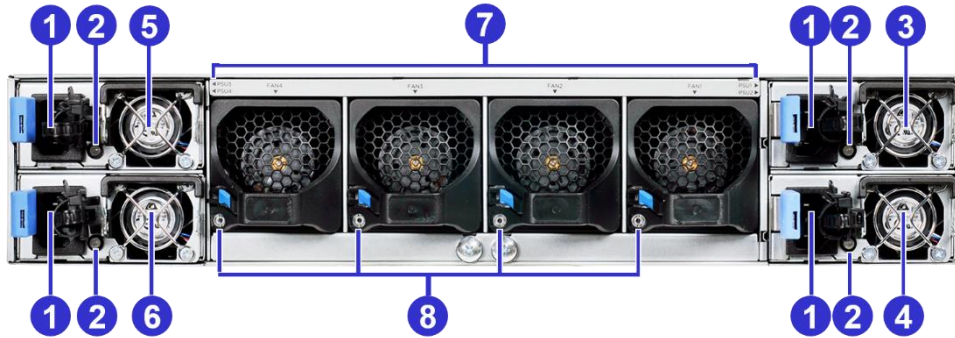
Front panel



No.	Item	No.	Item
1	Channel Display Button	9	OOB Port
2	Channel Display LEDs	10	QSFP28 Ports
3	QSFP28 Port LEDs	11	Tag for Info of SN, PN and MAC
4	PSU LED	12	Fan LED
5	System info. LED	13	Location LED
6	Power LED	14	Console Port
7	Speed LED	15	USB Port
8	Link/Activity LED		

QuantaMesh T7000 Series

Rear panel



No.	Item	No.	Item
1	AC Power Connector (with Plug Retainer)	6	PSU4
2	PSU AC LED	7	Hot-swappable Fan Modules
3	PSU1	8	Fan LEDs
4	PSU2		
5	PSU3		

LED Indicators of T7080-IXA

Data Port

Description	LED	State	Definition
100G	Link/Activity	White (solid)	The port is linked.
		White (Blinking)	The port has link established and there is data activity.
		Off	No link
50G	Link/Activity	Purple (Solid)	The port is linked.
		Purple (Blinking)	The port has link established and there is data activity.
		Off	No link
40G	Link/Activity	Blue (Solid)	The port is linked.
		Blue (Blinking)	The port has link established and there is data activity.
		Off	No link
25G	Link/Activity	Green (Solid)	The port is linked.
		Green (Blinking)	The port has link established and there is data activity.
		Off	No link
10G	Link/Activity	Yellow (Solid)	The port is linked.
		Yellow (Blinking)	The port has link established and there is data activity.
		Off	No link

Description	LED	State	Definition
Fault	Fault detected	Red (Solid)	Local fault detected
		Red (Blinking)	Remote fault detected

Management Port

Description	LED	State	Definition
Management Port LED	Speed	Off	The port is operating at 10Mbps.
		Green (Solid)	The port is operating at 1Gbps.
		Amber (Solid)	The port is operating at 100Mbps.
	Link/Activity	Off	No link
		Green (Solid)	The port is linked.
		Green (Blinking)	The port has link established and there is data activity.
		Green (Slow Blinking)	The port is Admin disabled.
		Amber (Solid)	Fault

System, PSU, FAN and Power

Description	LED	State	Definition
Switch Power LED	Power	Green (solid)	Valid power. All monitored voltages are nominal
		Off	No Power. Some Power rails are dropping below specification
Switch System Event LED	System info	Green (Solid)	Board is operational
		Amber (Solid)	Fault/initial state. This LED shall be lit during the reboot
		Amber-Green (Blinking)	Attention. TBD by SW
PSU LED	PSU	Green (Blink)	Standby-by. Standby output enabled with no power supply warning or fault detected
		Green (Solid)	Power good. Main and Standby output enabled with no PSU warning or fault detected
		Amber (Blink)	Warning. Power supply warning detected
		Amber (Solid)	Fault. Power supply fault
		Off	No Power
Fan LED	Fan	Green (Solid)	All fans are operating normally
		Amber (Solid)	Fan failed
		Off	No Power
	Location	Blue (blinking)	Device location looks up

QuantaMesh T7000 Series

Description	LED	State	Definition
Switch Location LED		Off	None

Channel Display LED

4 Bit Selector Panel (Bit3, 2, 1, 0)				QSFP28 Channel	Description	Port LED (if Error)	Port LED (if no error)
0	0	0	0	0 (Default)- Port and all channels	(Default) indicate any error on port and all 4 lanes for any errors	RED or Yellow- if any error on port ar any of the lanes	Green- if no error on port and any of the 4 lanes
0	0	0	1	1	Indicate error on Lane 1	RED or YELLOW- if any error on Lane 1	Green- if no error on lane 1
0	0	1	0	2	Indicate error on Lane 2	RED or YELLOW- if any error on Lane 2	Green- if no error on lane 2
0	1	0	0	3	Indicate error on Lane 3	RED or YELLOW- if any error on Lane 3	Green- if no error on lane 3
1	0	0	0	4	Indicate error on Lane 4	RED or YELLOW- if any error on Lane 4	Green- if no error on lane 4

Fan LED

Description	LED	State	Definition
Fan LED	FAN	Green (solid)	Fan work normally
		Red (Solid)	Fan abnormally, Fan Tray fail, or Fan stuck
		Off	None

AC Power Supply (Rear side)

Description	LED	State	Definition
PSU LED	PSU	Green (solid)	DC Output On and OK
		Off	No AC Power
		Blink Green (0.5Hz)	DC OUT +12V Power OK
		Blink Green (2Hz)	DC OUT +12V Power fail
		Amber (Solid)	12V Fault causing a shutdown; failure, (OCP, SC, OVP/UVP), OTP, Fan Fail, Input OVP

Ports of T7080-IXA

The switch chassis is equipped with the following ports:

- 80 QSFP28 ports (10/25/40/50/100GbE speed)
- 1 Management port
- 1 Console port
- 1 USB port

The chassis has 80 QSFP28 ports. Each of these ports uses an optical transceiver, active optical cables, or direct-attached cable to connect the QSFP28 port to servers and other Ethernet switches. For more information on obtaining the appropriate QSFP28 modules, refer to "Supported Cables and Transceivers".

One management port enables you to manage the switch operation using an RJ-45 Ethernet cable.

One console port enables you to perform the initial configuration by connecting to a PC with the RJ-45 to DB-9 serial adapter cable.

One USB port provides the flexibility and possibility to install switch runtime image or configuration file into storage memory. Please contact with switch NOS vendor for more detail information.

Data Port Connection

Supported Cables and Transceivers

See the following table for the list of supported cables and transceivers.

Supported Distance	Description	Note
1m	40G Direct Attach Copper (DAC) cable	QSFP+ to QSFP+
	40G DAC fan out cable (to 4 x 10G)	QSFP+ to 4 SFP+
	100G Direct Attach Cooper (DAC) cable	QSFP28 to QSFP28
	100G Active Optical Cable (AOC)	QSFP28 to QSFP28
3m	40G Direct Attach Copper (DAC) cable	QSFP+ to QSFP+
	40G DAC fan out cable (to 4 x 10G)	QSFP+ to 4 SFP+
	100G Direct Attach Cooper (DAC) cable	QSFP28 to QSFP28
	100G DAC fan out cable (to 4 x 25G)	QSFP28 to SFP28
3m	100G Active Optical Cable (AOC)	QSFP28 to QSFP28
5m	40G Direct Attach Copper (DAC) cable	QSFP+ to QSFP+
	40G DAC fan out cable (to 4 x 10G)	QSFP+ to 4 SFP+
	100G Direct Attach Cooper (DAC) cable	QSFP28 to QSFP28
	100G Active Optical Cable (AOC)	QSFP28 to QSFP28
7m	40G Active Optical Cable (AOC)	QSFP+ to QSFP+
10m	40G Active Optical Cable (AOC)	QSFP+ to QSFP+
	100G Active Optical Cable (AOC)	QSFP28 to QSFP28
20m	40G Active Optical Cable (AOC)	QSFP+ to QSFP+
> 20m	40GBASE-SR4 QSFP+ Transceiver Optic (MPO)	QSFP+
	100GBASE-SR4 QSFP28 Transceiver Optic (MPO)	QSFP28

QuantaMesh T7000 Series

Supported Distance	Description	Note
Up to 10km	40GBASE-LR4 QSFP+ Transceiver Optic (LC)	QSFP+
	100GBASE-LR4 QSFP28 Transceiver Optic (LC)	QSFP28



NOTE:

- For more information about the cable/transceiver, please contact QCT sales.

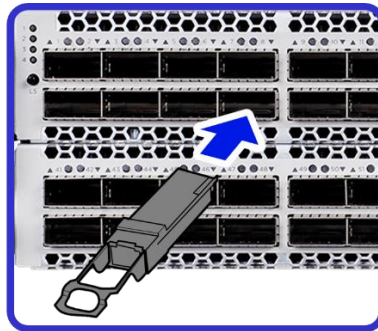
QSFP28 Port Connection

The switch is equipped with 80 QSFP28 ports. Each single port supports 40G or 100G by using 40G or 100G cables or optical transceivers. The switch can support fan-out cable for 40G to 4 x 10G or 100G to 4 x 25G or 2 x 50G.

The QSFP28 ports are numbered and have corresponding QSFP28 port LEDs.

To install a QSFP28 module, do the following:

- 1 Slide the QSFP28 module into a QSFP28 port.
- 2 Push completely until the module locks into place.

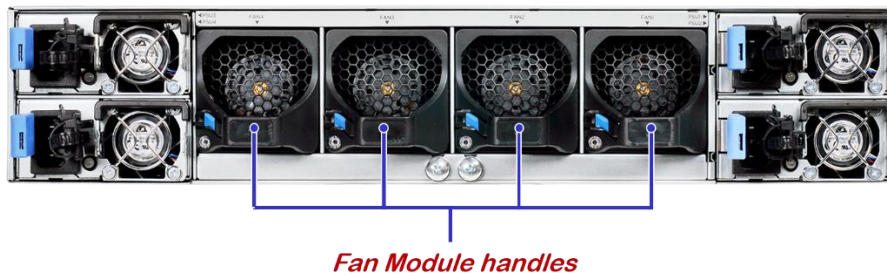


- 3 Repeat the above procedures to install additional QSFP28 modules.

For more information about the QSFP28 port LED behavior when the network link is established, refer to "LED Indicators of T7080-IXA".

Fan Tray of T7080-IXA

The switch chassis is equipped with four fan trays. Each of the Fan module is hot-swappable with front-to-back airflow.

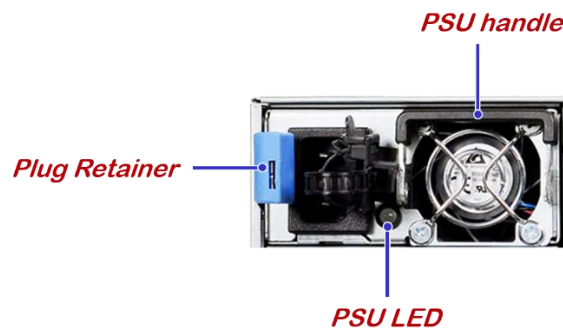


 **NOTE:**

- To hot-swap the fan during operations, make sure to replace it within 30 seconds.

Power Supply of T7080-IXA

Equipped with four supply modules, each of them are hot-swappable. With 2+2 power supply redundancy, you can hot-swap one or two of the PSU during operations.



The AC power connector is a standard three-pronged connector. The switch automatically adjusts its power setting to any supply voltage in the range from 100~240 VAC at 50~60 Hz.

 **NOTE:**

- Verify that each module has the same airflow direction. Make sure the switch runs with all of its power supply and fan tray modules taking in air from a cold aisle and exhausting air to the hot aisle.

Understanding the PSU LEDs

LED Type	LED Color	Function
Warning	Amber	PSU power / Thermal / Fan is not functioning properly.
AC	Green	The AC power (AC IN 220 / 110V) is operating normally.
	Off	The AC power (AC IN 220 / 110V) has failed.
DC	Green	The DC power (DC OUT +12V) is operating normally.
	Off	The DC power (DC OUT +12V) has failed.

QuantaMesh T7000 Series

Airflow Direction

The switch ships with four fan modules and four AC power supplies. The direction of the airflow is front-to-back.

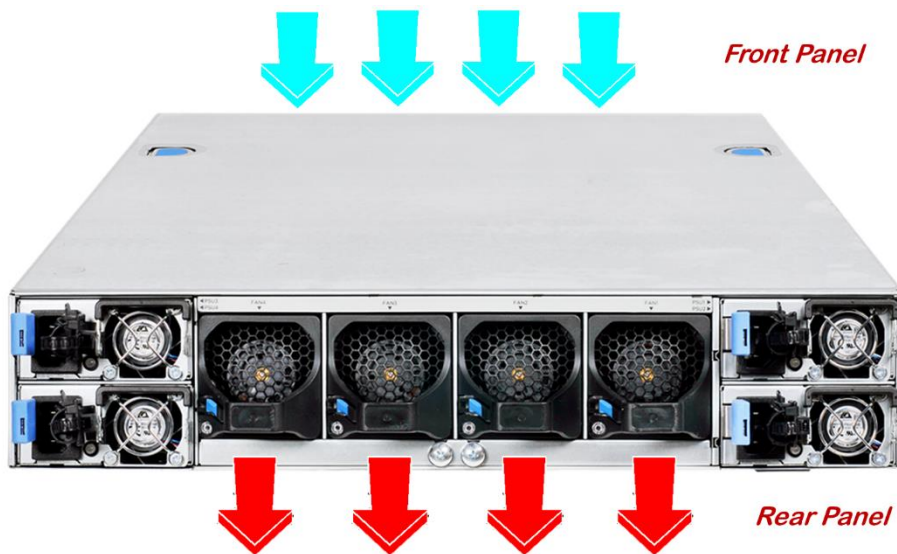


CAUTION

- Do not mix power supplies and fan modules with different airflow in the same chassis.

Front-to-Back Airflow

The air intake is located on the front panel of the switch. The cool air is sucked in from outside the chassis and pushed toward the rear of the chassis. The hot air exhausts through the vents on the rear panel of the switch.



Hardware Installation

Unpacking the Hardware

Upon receiving the switch, inspect the packing box. If the packing box was not damaged in transit, unpack it carefully.



NOTE:

- *Retain the packing box in case you need to transport the switch.*
- *The packing box is heavy. It is recommended for two persons to carry the box and perform the installation.*

Package Contents

The following items are included with a standard package. When you open the box, check if all items are included and free of damage.

- One QuantaMesh Ethernet switch
- Four AC power cords
- Console cable
- One set of rail kit
- Statement paper

It is important to ensure all items are included in the package before starting the installation.

- 1 Place the box on a flat and stable surface and cut the straps securing the box.
- 2 Carefully remove the switch. Then place it on a flat and clean surface.
- 3 Remove all other items from the box and inspect each item.

Installing the Switch

Site Survey

Consider the following when choosing a location to install the switch:

Installation Location

- Ensure that there is adequate space to allow you to access the front and rear panel ports for easy cable management and maintenance.
- Ensure that the site is located within a proper distance to the power source. The power source must be properly grounded and readily accessible.
- Ensure that the site is free from strong electromagnetic field sources, such as radiators, motors, and heat sources.
- Ensure that the site is not exposed to direct sunlight, rain or moisture.

Ventilation

- The installation surroundings must have adequate ventilation. Proper clearance between the switch and the wall or other equipment must be observed.

Hardware Installation

Rack Mounting

If installing on a rack, verify the following:

- Ensure the cabinet is stable and secure to withstand any unexpected movement, such as an earthquake.
- Ensure the rack or cabinet can support the weight of the switch and other additional weight.

Positioning the Switch

The switch is equipped with Power Supply Units (PSU) and hot-swappable fan modules. It is important to determine the airflow direction of the power supply and fan modules before installing the switch.

Each fan module handle/plug retainer is color-coded to indicate its airflow direction.

- Blue: indicates back-to-front airflow (air outlet module).

To ensure proper airflow, make sure that when you install the switch its air intake is positioned in a cold aisle and the air exhaust is positioned in a hot aisle for your data center.



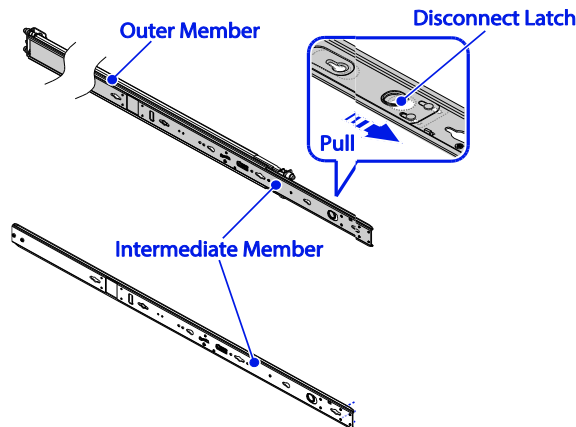
NOTE:

- *Verify that each module has the same airflow direction. Make sure the switch runs with all of its power supply and fan tray modules taking in air from a cold aisle and exhausting air to the hot aisle.*

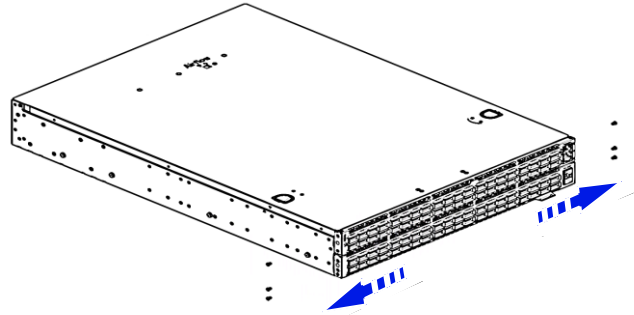
Mounting the Switch into Ozeki Rack with BES-53248A1-ZRMK Rail Kit

- 1 Remove the inner rails.

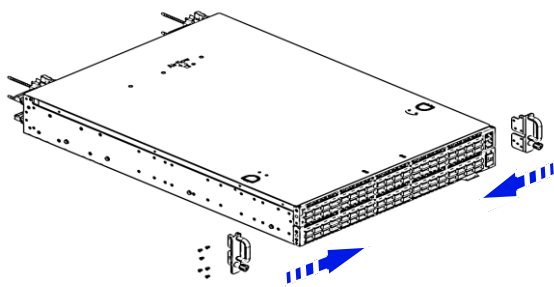
Pull the inner rail out until it is fully extended, and then push the disconnect latch forward to release the inner rail from the middle rail. Remove the inner rail.



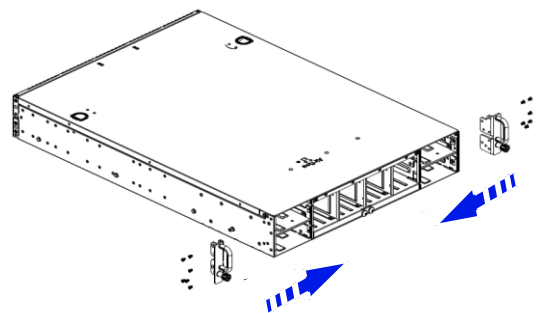
- 2 Remove system front screw (Front Installation only).



- 3 Align the holes on the mounting ear with the system.
- 4 Secure the mounting ear with the screws.



Front Installation



Rear Installation

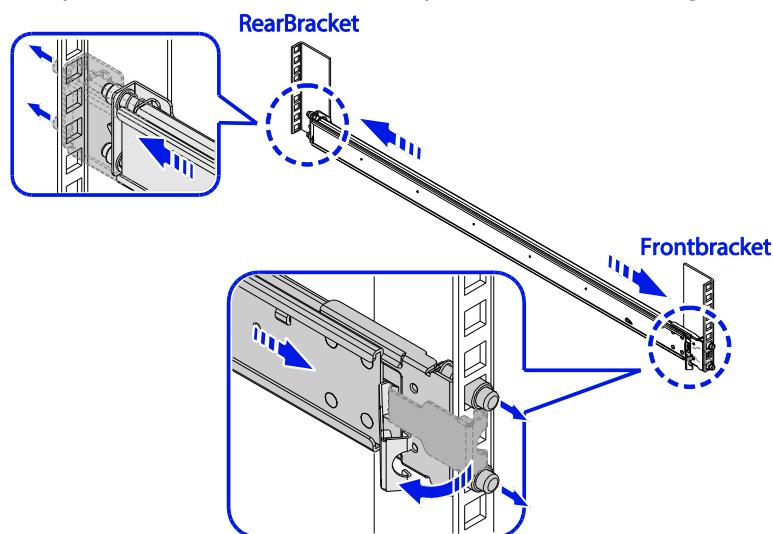


NOTE:

- Repeat the similar steps to remove another inner rail and install the mounting ear.

- 5 Install the outer rails to the rack.

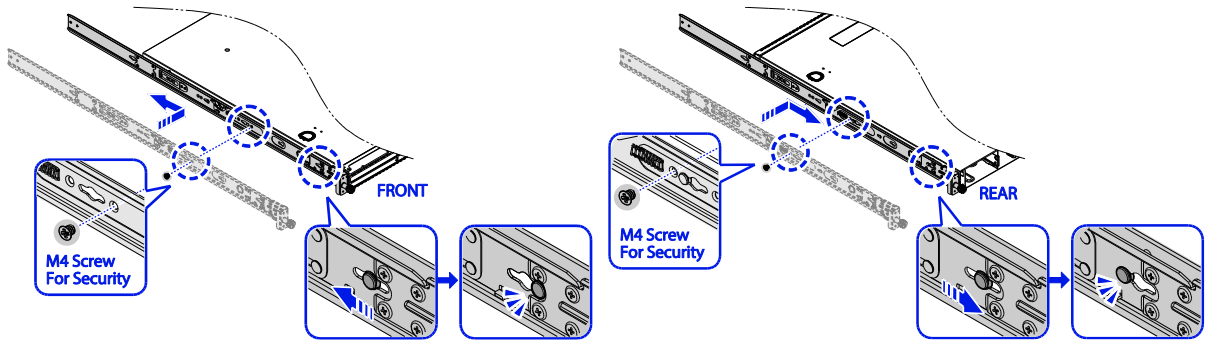
- ✓ To install the front bracket: Pull the latch and install the rail by aligning the hooks with the front rack holes. Then release the latch to lock the hooks into place.
- ✓ To install the rear bracket: Align and push the rail firmly into the rear rack until it clicks into place. Make sure the L-shaped bracket is facing inward.



The switch supports front and rear rail installations.

Hardware Installation

- Align the hooks on the switch with the holes in the inner rail, and then slide the inner rail backward until it is locked in place.
- Secure the inner rail to the switch with the screws.



Front Installation

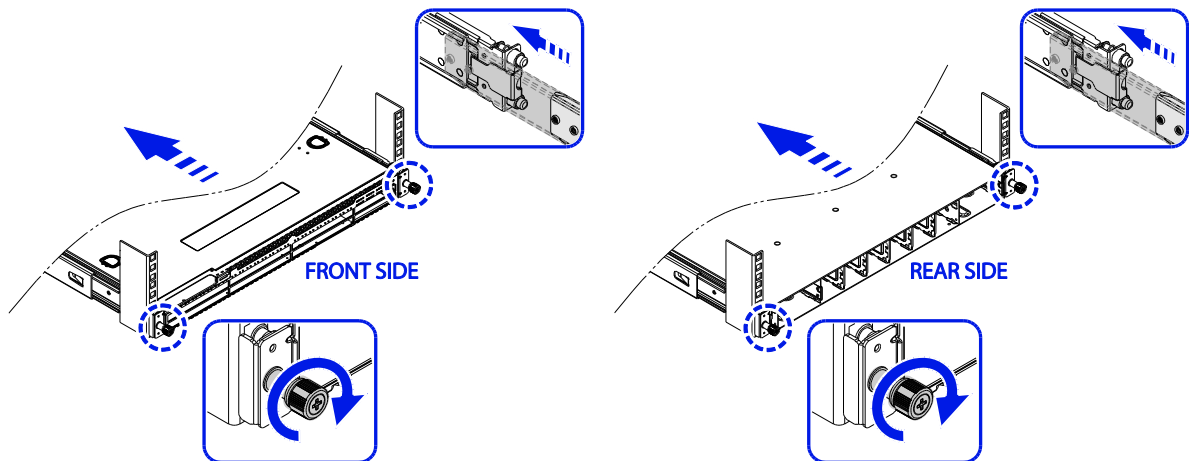
Rear Installation



NOTE:

- Repeat the similar steps to install another inner rail.

- Slide the inner rails on the switch into the middle rails and push the switch all the way to the rear of the rack.
- Secure the switch to the rack using the screws.



Front Installation

Rear Installation



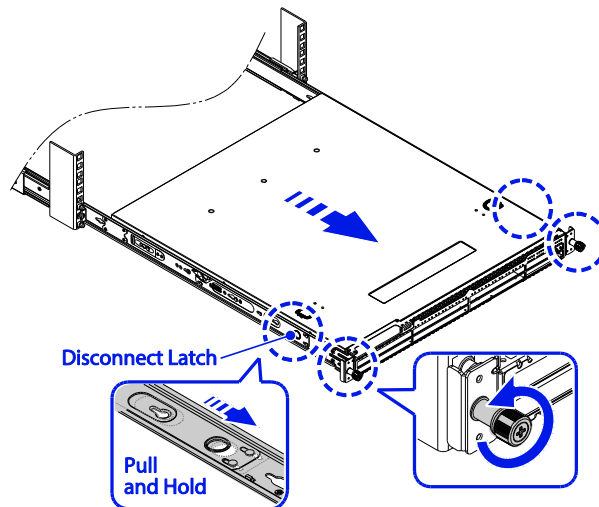
NOTE:

- Repeat the similar steps to install another inner rail.



NOTE:

- Push the disconnect latch to release the switch when removing the switch and it is fully extended.



Connecting to the Console Port

The console port is used for setting up and managing the switch via a connection to a console terminal or PC using a terminal emulation program. You can connect the switch to a terminal or PC using the supplied console cable (RJ-45 male to RS-232 female cable) for serial communication.

Below is the console cable wiring specification table:

RJ-45 Port of Switch	DB9 Female Port of PC	Abbreviation	Description
3	2	RD	Received Data
6	3	TD	Transmit Data
1	8	CTS	Clear To Send
8	7	RTS	Request To Send
5	5	GND	Ground

Using the console port, you can perform the following:

- Configure the switch using the CLI commands
- Manage and monitor network activity by Command Line Interface (CLI) management
- Manage and monitor network activity by Simple Network Management Protocol (SNMP) management
- Upgrade the firmware

To connect to the console, do the following:

- 1 Connect the RJ-45 connector to the console port (🖨️) of the switch.

Hardware Installation



T7080-IXA

- 2 Connect the RS-232 end to a terminal or PC.
- 3 Manage the switch using the CLI commands (refer to the CLI User Manual for more information).

The switch uses the following default settings:

- √ Baud rate: 115200
- √ Data width: 8 bits
- √ Parity: None
- √ Stop bits: 1
- √ Flow control: None

Connecting to the Management Port


The management port is a dedicated port interface which is segregated from data traffic crossing other downlink or uplink ports. The port supports auto-negotiation. If the attached device also supports auto-negotiation, the transmission can operate in either half or full duplex, and data rate can be in 10Mbps, 100Mbps, or 1Gbps. Telnet, SNMP, and Web browser utility can all go through this port for local or remote management after the IP address, subnet mask, and default gateway are properly configured.

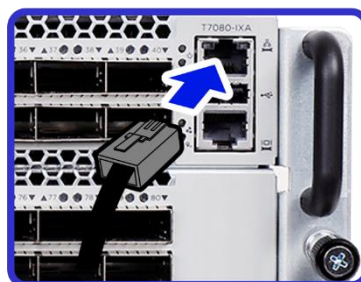


CAUTION

- To avoid an IP address conflict, make sure to complete the initial configuration (see "Connecting to the Console Port") before connecting the management port to the network. For more information on how to configure the switch, refer to the CLI User Manual.

To connect to the management port, do the following:

- 1 Connect one end of an Ethernet cable to the management port () of the switch.



T7080-IXA

- 2 Connect the other end of the Ethernet cable to a network.
The Management port LED (Link/Activity LED) lights green when the network link is established.

Connecting the Power



CAUTION

- Ensure that the socket outlet is installed near the equipment and be easily accessible.
- The power cord must have safety ground pin or contact that is suitable for the electrical outlet.
- The power supply cord(s) must be plugged into socket outlet(s) that is/are provided with a suitable earth ground.

AC Power Supply

The switch is equipped with four slots for power supplies. Four circuits provide redundancy protection, you may hot-swap one or two PSUs during operations.



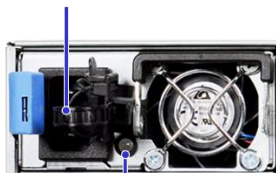
NOTE:

- *Each PSU has an AC power connector.*
- *At least two power supplies must connect to a power source.*

To connect the switch to a power source, do the following:

- 1 Connect one end of the AC power cord to an AC power connector.

AC power connector



PSU LED

- 2 Connect the other end(s) of the AC power cord(s) to the grounded power outlet(s). The switch has no power button. Once an AC power cord is connected to a power outlet, the switch power is turned on. The Power LED lights green.

Components Replacement

Troubleshooting

Below is a list of the common problems that you may encounter when using the switch. Try to solve these problems with the suggested solutions before calling for service. If problems persist, contact customer support.

Diagnostic Switch Indicator

Problem	Solution
Power LED is off.	The switch does not receive any power. <ul style="list-style-type: none">• Check if the AC power cords are connected properly.• Check if the power supply units are completely seated in the chassis.• The power supply unit may be damaged and needs replacement.
A Port LED is off.	<ul style="list-style-type: none">• Check if the switch and the connected device are powered on.• Check if the connection in both ends are properly connected.• Check if the cable matches the required length and specification.• Check for a defective cable/port module.
PSU LED is in Red state.	Possible issues: <ul style="list-style-type: none">• Fan Lock (15 sec.)• OTP: Over Temperature Process• OCP: Over Current Process• OVP: Over Voltage Process• UVP: Under Voltage Process
Fan LED is in Red state.	One or more fans have failed.

Power and Cooling Problems

If the power indicator does not turn on when the power cord is plugged in, you may have a problem with the power outlet, power cord, or power supply. However, if the unit powers off after running for a while, check for loose power connections, power losses or surges at the power outlet, and verify that the fans on the unit are unobstructed and running prior to shutdown. If you still cannot isolate the problem, then the internal power supply may be defective.

Installation

Verify that all system components have been properly installed. If one or more components appear to be malfunctioning (such as the power cord or network cabling), test them in an alternate environment where you are sure that all the other components are functioning properly.

In-Band Access

You can access the management agent in the switch from anywhere within the attached network using Telnet, a Web browser, or other network management software tools. However, you must first configure the switch with a valid IP address, subnet mask, and default gateway. If you have trouble establishing a link to the management agent, check to see if you have a valid network connection. Then verify that you entered the correct IP address. Also, be sure the port through which you are connecting to the switch has not been disabled. If it has not been disabled, then check the network cabling that runs between your remote location and the switch.

Replacing the Power Supply



CAUTION

- When installing a new PSU, make sure it has the same airflow direction as the fan modules and the other power supply.
- For switches that only using a single power supply, removing the power supply will cause the switch to automatically shutdown.

The PSUs can be replaced without the use of special tools. Before replacing any of the PSUs, verify the status of the PSU to determine if there is a need for replacement.



NOTE:

- *In the event of a power supply failure, you can replace the defective unit without powering down the system, provided that there is at least two power supply must connect to a power source.*

To replace the power supply unit, do the following:

- 1 Disconnect the AC power cord of the PSU that you want to remove.
- 2 Press the plug retainer and then pull the handle to slide the PSU away from the chassis.



NOTE:

- *Take note of the part number of the removed PSU.*
 - *When making order for replacement modules, make sure that the part number of the new PSU is the same as the part number of the removed PSU.*
- 3 Ensure the power supply unit is correctly oriented, then install the new PSU into the chassis until it is firmly seated.
 - 4 Connect the AC power cord to power on the switch.

Components Replacement

Replacing the Fan Tray



CAUTION

- When installing a new fan module, make sure it has the same airflow direction as the fan modules and the power supply.

The fan modules can be replaced without the use of special tools. Before replacing any of the fan modules, verify the status of the fan modules to determine if there is a need for replacement.



NOTE:

- In the event of a fan failure, make sure to replace it within two minutes.

To replace the fan module, do the following:

- 1 Press the handle retainer and pull by the handle to slide the fan module away from the chassis.



NOTE:

- Take note of the part number of the removed fan module.
 - When making order for replacement modules, make sure that the part number of the new fan module is the same as the part number of the removed fan module.
- 2 Ensure the fan module is correctly oriented, then install the new fan module into the chassis until it is firmly seated.

Customer Support



WARNING

There are no user-serviceable parts inside the PSU or hot-swappable fan module.

Do not disassemble any part of the PSU or hot-swappable fan module. Doing so voids the warranty and regulatory certifications.

For maintenance services not mentioned in this guide, please contact the manufacturer's customer support number as indicated on the warranty card.

Appendix

QuantaMesh Ethernet Switches support multiple NOS by using ONIE to install. The following pages provide example of how to manually install ONIE installer of Quanta NOS from QuantaMesh BMS devices.

Manually Install Vendor OS

With QUANTA ONIE code, it allows user to manually download an installer. You can use the **Download Installer** function which supports 3 types of different protocols (i.e. FTP, TFTP, and HTTP) to download the installer file from your local server.

- To download and update the vendor OS code manually, perform the following:
 - 3 Locate the specific QUANTA ONIE installer image that you want to download.
For example, the installer file name: **ly3-onie-installer-1.5.3**
 - 4 Place the installer file into your local FTP, TFTP, or HTTP server.
For example, the server IP address: **192.168.2.153**
 - 5 Go to ONIE Linux Shell.
 - a. Connect your PC and the switch using a console cable.
 - b. Enter ONIE Linux Shell.

```
Hit any key to stop autoboot: 0
Loading Open Network Install Environment ...
Platform: poverpc-quanta_ly3-r0
Version : 1.5.3-20131014174847
WARNING: adjusting available memory to 30000000
## Booting kernel from Legacy Image at 01000000 ...
   Image Name:   quanta_ly3-r0
   Image Type:   PowerPC Linux Multi-File Image (gzip compressed)
   Data Size:    3478939 Bytes = 3.3 MiB
   Load Address: 00000000
   Entry Point: 00000000
   Contents:
     Image 0: 2761944 Bytes = 2.6 MiB
     Image 1: 707476 Bytes = 690.9 KiB
     Image 2: 9503 Bytes = 9.3 KiB
   Verifying Checksum ... OK
## Loading init Ramdisk from multi component Legacy Image at 01000000 ...
## Flattened Device Tree from multi component Image at 01000000
   Booting using the fdt at 0x134f0bc
   Uncompressing Multi-File Image ... OK
   Loading Ramdisk to 2ff53000, end 2ffffb94 ... OK
   Loading Device Tree to 03ffa000, end 03fff51e ... OK
Cannot reserve gpages without hugetlb enabled
setup_arch: bootmem
quanta_ly3_setup_arch()
arch: exit

pci 0000:00:00.0: ignoring class b20 (doesn't match header type 01)

ONIE: Using default IPv4 addr: eth0: 192.168.3.10/255.255.255.0
cat: can't open '/var/run/onie/dhcp.logsrv': No such file or directory
discover: installer mode detected. Running installer.

Please press Enter to activate this console. To check the install status inspect /var/log/onie.log.
Try this: tail -f /var/log/onie.log

** Installer Mode Enabled **
ONIE:/ # ONIE: Using default IPv4 addr: eth0: 192.168.3.10/255.255.255.0
ONIE: Starting ONIE Service Discovery
ONIE:/ #
```

- c. Use the following command to stop ONIE service discovery:

“killall discover”

```
** Installer Mode Enabled **
ONIE:/ # ONIE: Using default IPv4 addr: eth0: 192.168.3.10/255.255.255.0
ONIE: Starting ONIE Service Discovery

ONIE:/ # killall discover
ONIE:/ #
```


Appendix

d. Use the following command to set your switch box IP address:

```
"ifconfig eth0 192.168.2.1"
```

```
ONIE:/ #  
ONIE:/ # ifconfig eth0 192.168.2.1  
ONIE:/ #
```

- **ifconfig eth0**: the command string
- **192.168.2.1**: the switch IP address

e. Use the **"ipconfig"** command to verify if the IP address setting is correct.

```
ONIE:/ # ipconfig  
eth0      Link encap:Ethernet  HWaddr 00:C0:9F:01:02:03  
          inet addr:192.168.2.1  Bcast:192.168.2.255  Mask:255.255.255.0  
          UP BROADCAST RUNNING MULTICAST  MTU:1500  Metric:1  
          RX packets:0 errors:0 dropped:0 overruns:0 frame:0  
          TX packets:0 errors:0 dropped:0 overruns:0 carrier:0  
          collisions:0 txqueuelen:1000  
          RX bytes:0 (0.0 B)  TX bytes:0 (0.0 B)  
          Base address:0x8000  
  
ONIE:/ #
```

6 In ONIE Linux shell, use the **"install_url"** command to update the vendor OS code.
Use one of the following commands:

```
"install_url tftp://192.168.2.153/ly3-onie-installer-1.5.3"
```

or

```
"install_url ftp://192.168.2.153/ly3-onie-installer-1.5.3"
```

or

```
"install_url http://192.168.2.153/ly3-onie-installer-1.5.3"
```

- √ **install_url**: the command string
- √ **tftp/ftp/http**: use: the server protocol type
- √ **192.168.2.153**: the server IP address that stores the installer file
- √ **ly3-onie-installer-1.5.3**: the installer file